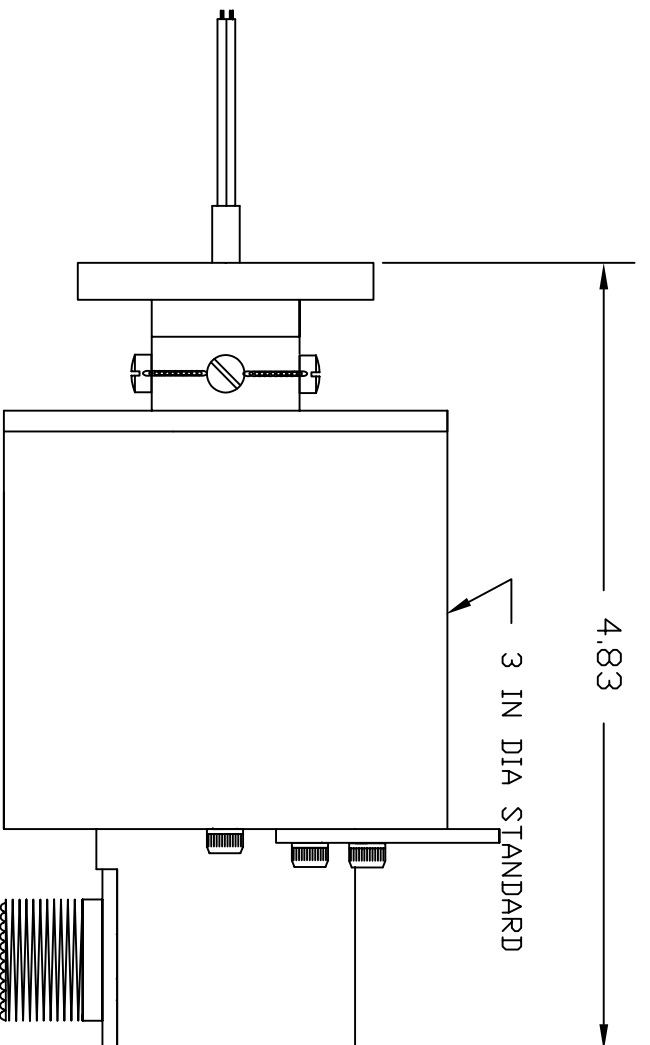


ALL DIMENSIONS IN INCHES

PROPRIETARY & TRADESECRET
 INFORMATION
 NOT TO BE DISCLOSED FOR USE OTHER
 THAN THE PURPOSE OF OUR CUSTODY
 WITHOUT EXPRESS WRITTEN PERMISSION OF
 IEC CORPORATION

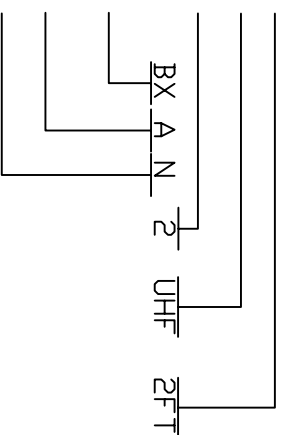


MODEL SHOWN AS BXAN-2-UHF-2FT

83-798 UHF
 OR
 OTHER CONNECTOR

CONNECTOR OR LENGTH OF LEADS
 CONNECTOR OR LENGTH OF LEADS
 NUMBER OF RINGS

BX=STYLE OF SLIP RING
 (END OF SHAFT MOUNT)
 A=ALUMINUM, S=STAINLESS STEEL
 N=NOT OIL FILLED, O=OIL FILLED



BX-2

ALL STANDARD MODELS