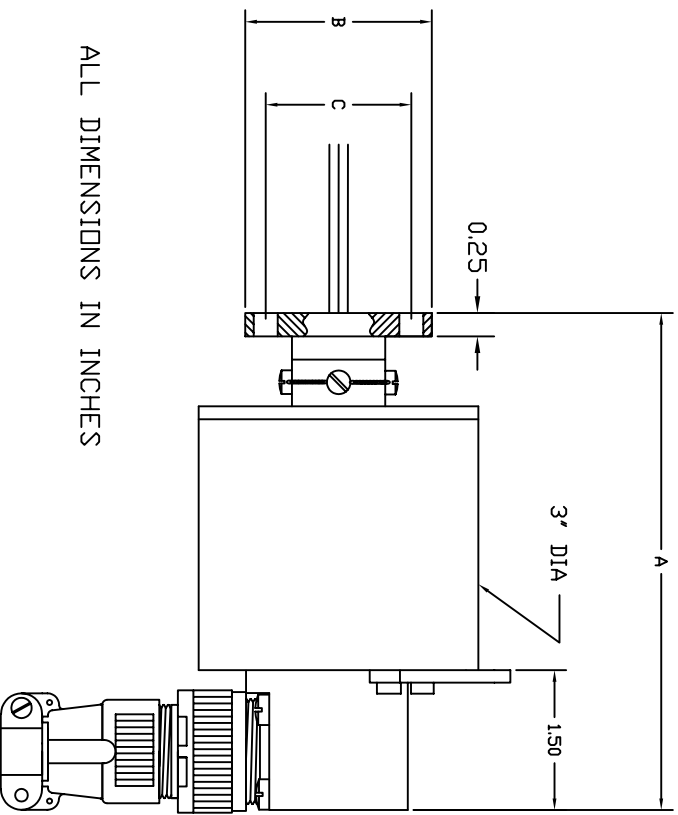
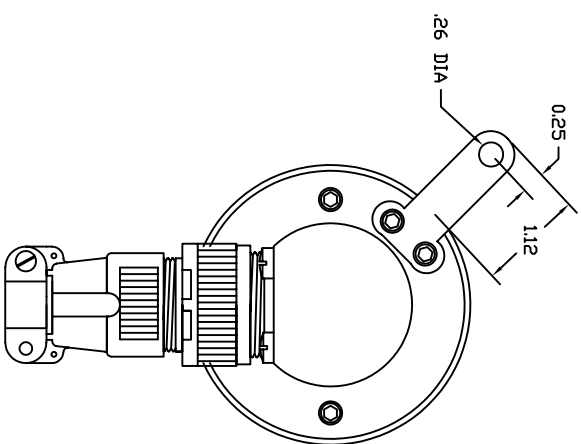


PROPRIETARY & TRADESECRET
 INFORMATION
 NOT TO BE DISCLOSED FOR USE OTHER
 THAN THE PURPOSE OF OUR CUSTODY
 WITHOUT EXPRESS WRITTEN PERMISSION OF
 IEC CORPORATION



ALL DIMENSIONS IN INCHES

RINGS	A	B	C
4	5.33	2.0	1.562
6	5.83	2.0	1.562
8	6.33	4.0	3.562
10	6.83	4.0	3.562
12	7.33	4.0	3.562



CONNECTOR OR LENGTH OF LEADS _____
 CONNECTOR OR LENGTH OF LEADS _____
 NUMBER OF RINGS _____
 BX=STYLE OF SLIP RING
 (END OF SHAFT MOUNT)
 A=ALUMINUM, S=STAINLESS STEEL
 N=NOT OIL FILLED, O=OIL FILLED

BX A N 4 MS4 2FT

BX-4 TD 12