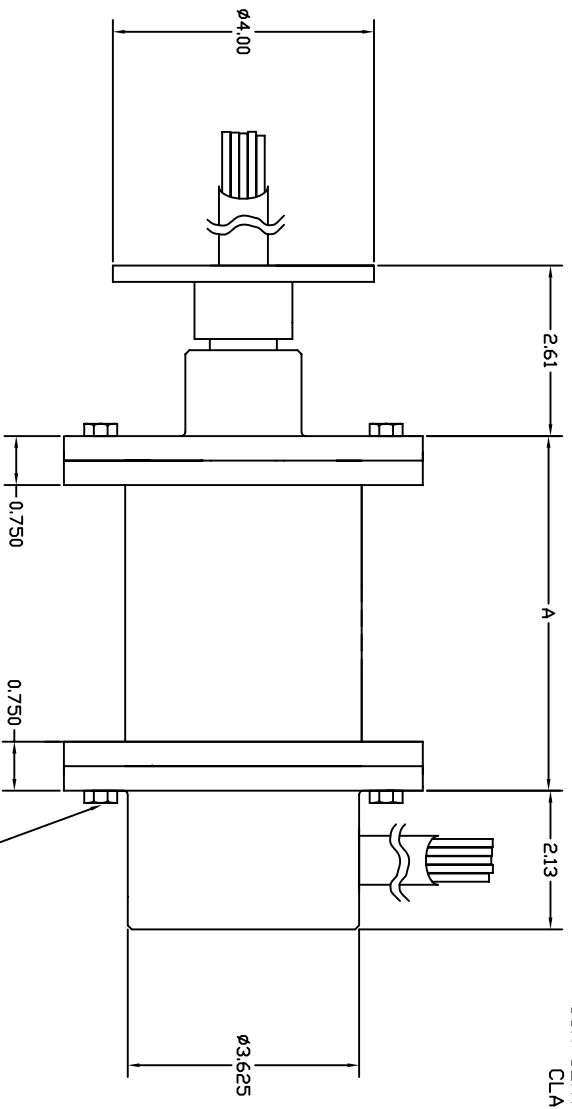
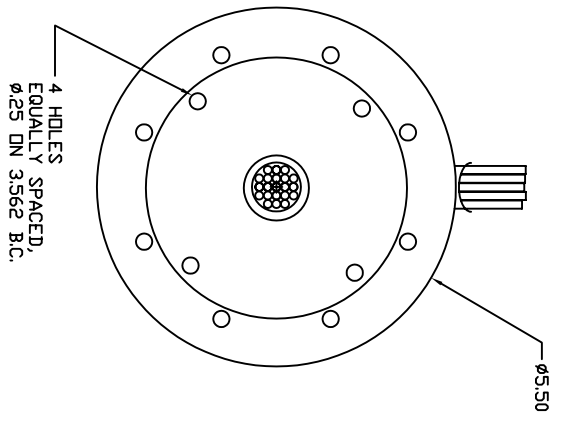


**EXPLOSION PROOF ENCLOSURE**  
 CSA CERTIFIED FOR HAZARDOUS LOCATIONS  
 CLASS 1, DIVISION 1, GROUPS C & D



SEQUENTIALLY, TORQUE FLANGE BOLTS 9-12 FT. LB. AT ASSEMBLY,  
 AND AT QUARTERLY PM CHECK, TO MAINTAIN EXPLOSION PROOF INTEGRITY.

4=NUMBER OF RINGS  
 XP=EXPLOSION PROOF  
 BX=STYLE  
 PREFIX  
 PART NUMBER IEL-BX-XP-8

MECHANICAL SPECIFICATIONS  
 NPT ENTRIES PROVIDED ON BOTH ENDS

ALL DIMENSIONS IN INCHES

PROPRIETARY & TRADESECRET  
 INFORMATION  
 NOT TO BE DISCLOSED FOR USE OTHER  
 THAN THE PURPOSE OF OUR CUSTODY  
 WITHOUT EXPRESS WRITTEN PERMISSION OF  
 IEC CORPORATION

RINGS	A
2	2.934
4	3.184
6	3.684
8	4.184
10	4.684
12	5.184

IEL-BX-XP-2 TO 12

CERTIFICATION UP TO 44 RINGS