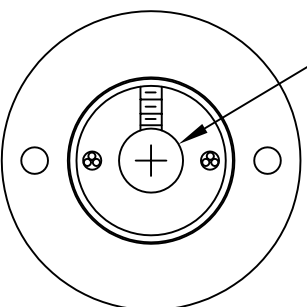
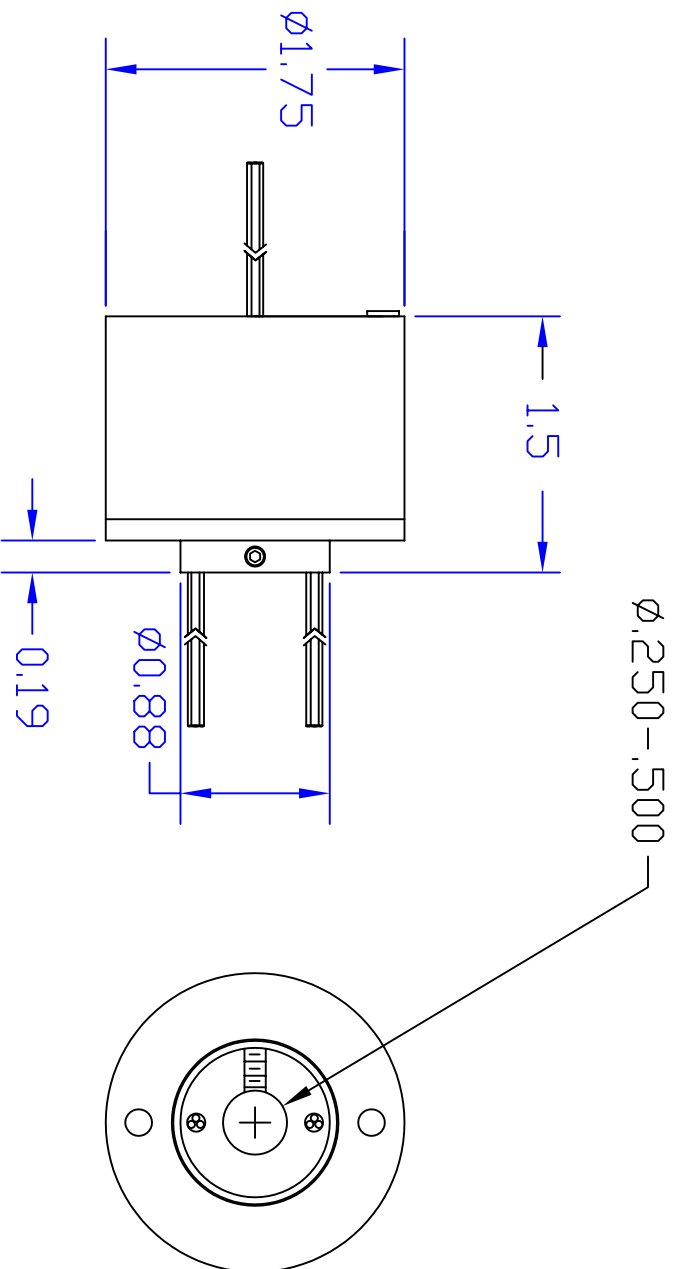
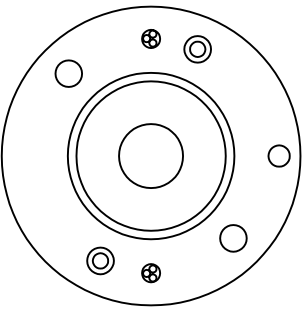


PROPRIETARY & TRADESECRET
 INFORMATION
 NOT TO BE DISCLOSED FOR USE OTHER
 THAN THE PURPOSE OF OUR CUSTODY
 WITHOUT EXPRESS WRITTEN PERMISSION OF
 IEC CORPORATION



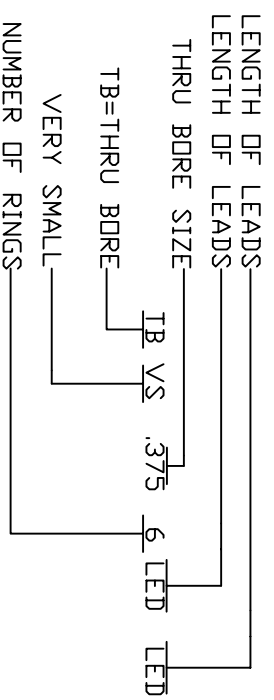
ELECTRICAL RATING

500 VOLT 3.5 AMP PER RING
 24 AWG TFE WIRE

MECHANICAL SPECIFICATIONS

TEMP RATING: 392°F
 ANODIZED ALUMINUM ENCASMENT

ALL DIMENSIONS IN INCHES



TBVS-.375-6-LED-LED