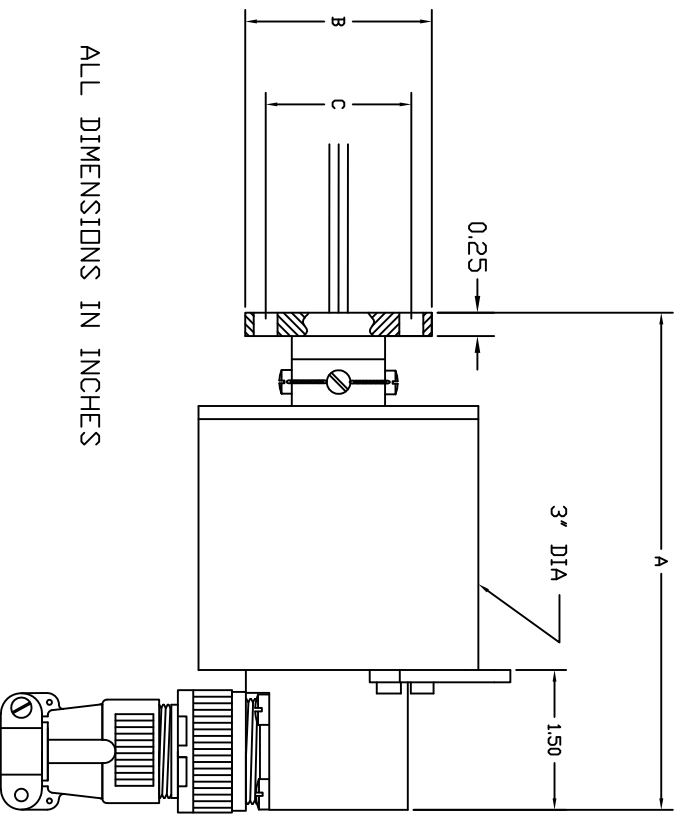
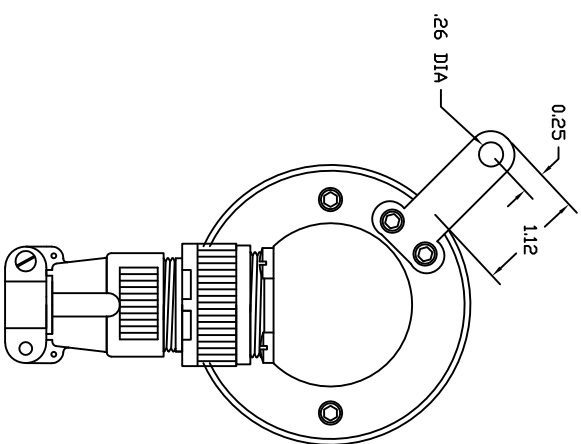


PROPRIETARY & TRADESECRET  
 INFORMATION  
 NOT TO BE DISCLOSED FOR USE OTHER  
 THAN THE PURPOSE OF OUR CUSTODY  
 WITHOUT EXPRESS WRITTEN PERMISSION OF  
 IEC CORPORATION



ALL DIMENSIONS IN INCHES

RINGS	A	B	C
4	5.565	2.0	1.562
6	6.065	2.0	1.562
8	6.565	4.0	3.562
10	7.065	4.0	3.562
12	7.565	4.0	3.562



CONNECTOR OR LENGTH OF LEADS \_\_\_\_\_  
 CONNECTOR OR LENGTH OF LEADS \_\_\_\_\_  
 NUMBER OF RINGS \_\_\_\_\_  
 BX=STYLE OF SLIP RING \_\_\_\_\_  
 (END OF SHAFT MOUNT) \_\_\_\_\_  
 A=ALUMINUM, S=STAINLESS STEEL \_\_\_\_\_  
 N=NOT OIL FILLED, O=OIL FILLED \_\_\_\_\_  
 BX A N 4 MS4 2FT

BX-4 TD 12