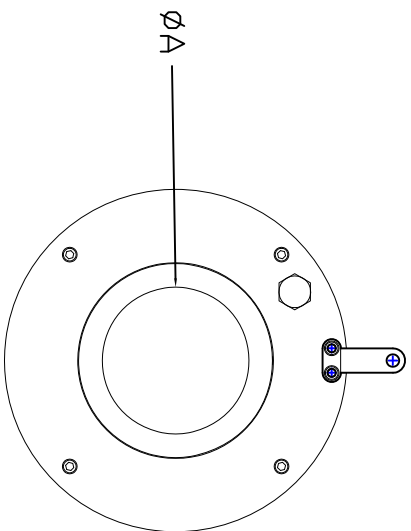
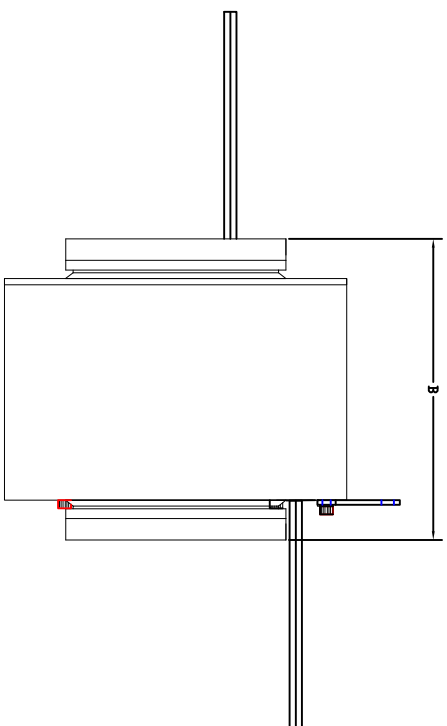
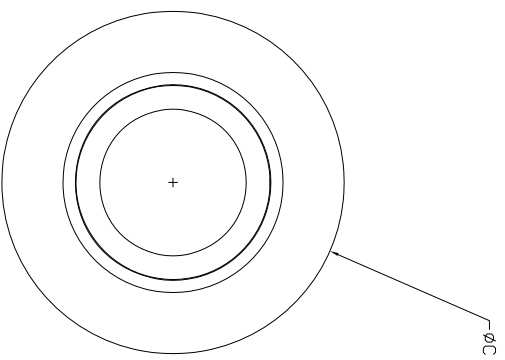


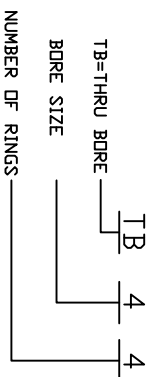
PROPRIETARY & TRADESECRET  
 INFORMATION  
 NOT TO BE DISCLOSED FOR USE OTHER  
 THAN THE PURPOSE OF OUR CUSTODY  
 WITHOUT EXPRESS WRITTEN PERMISSION OF  
 IEC CORPORATION



ALL DIMENSIONS IN INCHES

UNITS CAN BE SLEEVED PER CUSTOMER SPECIFICATIONS

RINGS	øA	B	øC	PART NUMBER
4	2.00	4.65	6.00	TB-2-4
8	2.00	5.40	6.00	TB-2-8
12	2.00	6.15	6.00	TB-2-12
4	4.00	4.65	8.00	TB-4-4
8	4.00	5.40	8.00	TB-4-8
12	4.00	6.15	8.00	TB-4-12



UNIT IS SUPPLIED WITH 3 FOOT LEADS ON BOTH ENDS

TB-2.0 TO 4.0